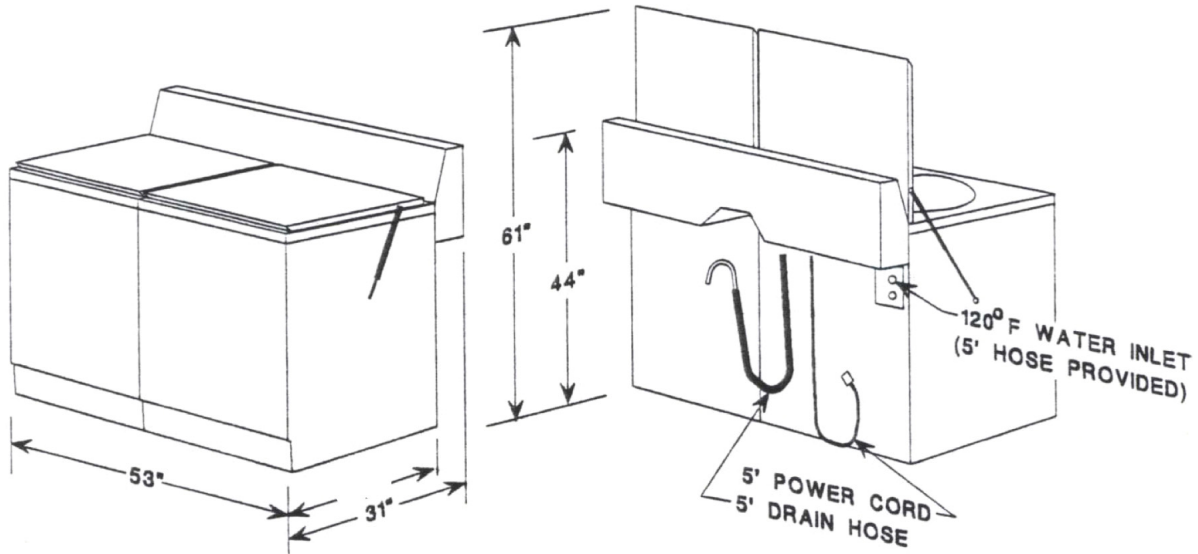


**Model 520 Washer/Pasteurizer  
Technical Specifications**



PHYSICAL SPECIFICATIONS		
WIDTH:	53"	(135 cm)
DEPTH:	31"	(79 cm)
HEIGHT:	44"	(112 cm)
CLEARANCE (LID RAISED):	61"	(155 cm)
WEIGHT (EMPTY):	350 lbs	(159 kg)
(FULL):	770 lbs	(349 kg)
VOLUME:	25 Gal.	(95 L)

ELECTRIC SPECIFICATIONS	
VOLTAGE:	115 VOLTS (230 VOLTS available)
CYCLES:	60 HERTZ
CURRENT:	20 AMPS
REQUIRED CIRCUITS: (per voltage)	
	1) 120V/30A, LOCKING RECEPTACLE. (NEMA L5-30R)
	2) 240V/30A, LOCKING RECEPTACLE. (NEMA L5-30R)
*EQUIPPED WITH 5' CORD AND 30 AMP LOCKING PLUG (NEMA L5-30P) or 15 AMP LOCKING PLUG for 240V MODELS	

PLUMBING SPECIFICATIONS
WATER REQUIREMENTS: 3/4" HOSE BIB FROM HOSPITAL SUPPLY (120°F RECOMMENDED)
DRAIN REQUIREMENTS: 1 1/2" ID (3.8 cm)

#224861  

High Level Disinfection Systems for Healthcare

Cenorin, LLC • 6324 South 199<sup>th</sup> Place • Suite 107 • Kent, WA 98032  
Phone: 253-395-2400 • Fax: 253-395-2650 • Toll Free: 1-800-426-1042